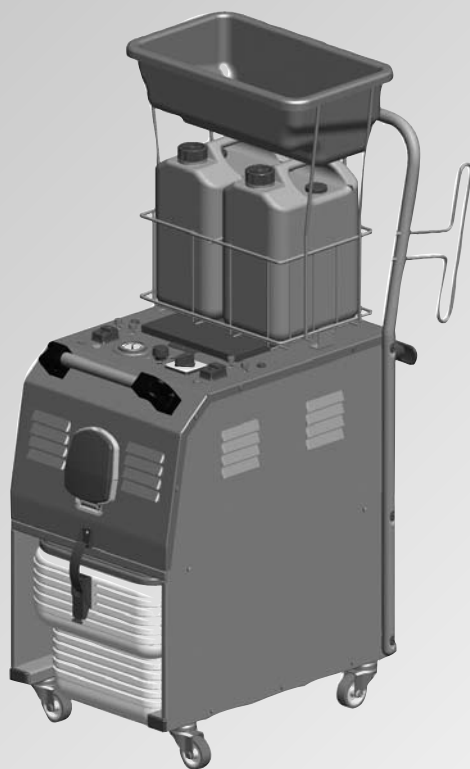
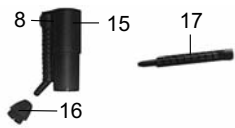
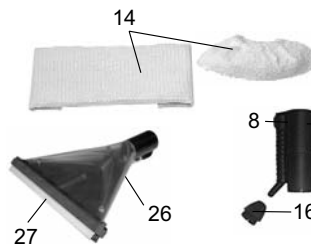
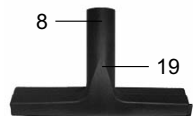
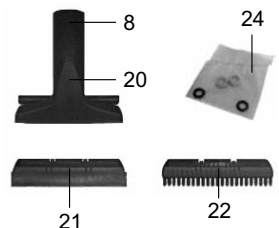
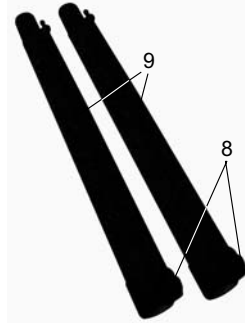
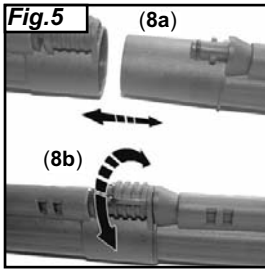
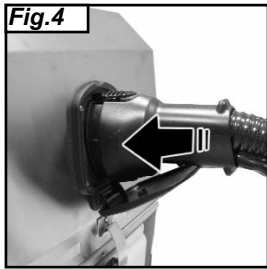
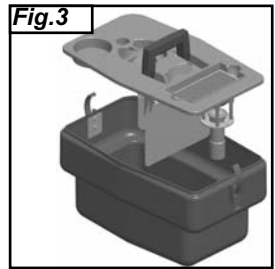
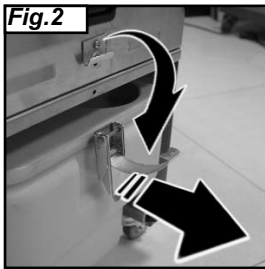


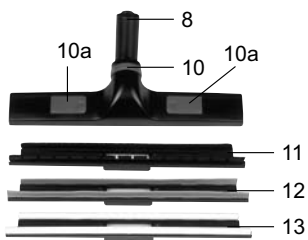
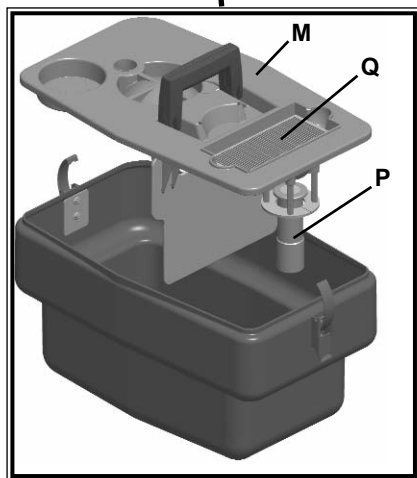
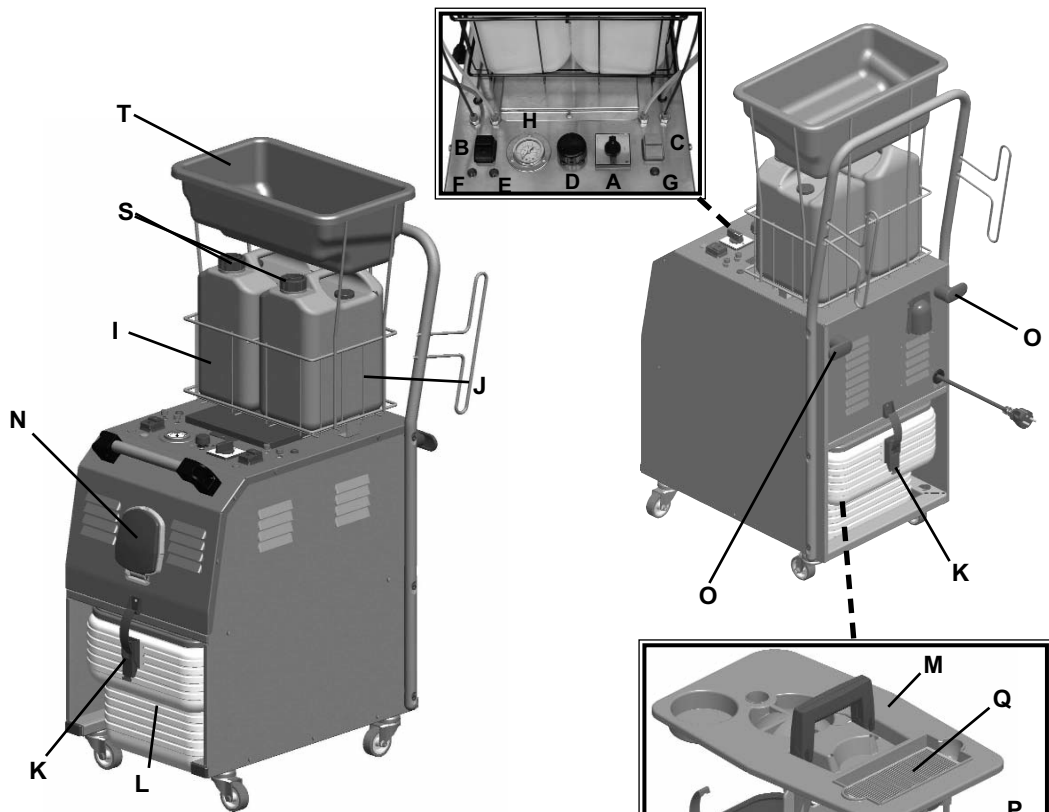


# mondial vap 7000

## INOX









Read these instructions carefully before using the appliance.

## KEY

- A) Main switch
- B) Boiler switch
- C) Detergent switch
- D) Steam control knob
- E) Steam ready indicator light
- F) Out of water light
- G) Detergent function indicator light
- H) Pressure gauge
- I) Water tank
- J) Detergent tank
- K) Dirt container lock levers
- L) Dirt container
- M) Dirt container lid
- N) Unit socket door
- O) Power cable winder pins
- P) Safety float
- Q) Air outlet filter
- R) Filling can
- S) Tank cap
- T) Accessory rack

## ACCESSORIES

- 1) Hose
- 2) Handle
- 3) Steam button
- 4) Safety button
- 5) Vacuum button
- 6) Unit plug
- 7) Button for locking unit plug
- 8) Accessory lock button
- 9) Extension tubes
- 10) Multipurpose brush
- 10a) Attachment locking slides
- 11) Brush attachment
- 12) Liquid vacuum attachment
- 13) Carpet attachment
- 14) Cotton cloths
- 15) 120° tool
- 16) Coloured 120° vacuum-steam brushes
- 17) Steam nozzle
- 18) 120° tool nozzle
- 19) Vacuum-steam squeegee tool
- 20) Small vacuum-steam nozzle
- 21) Squeegee attachment for small vacuum-steam nozzle
- 22) Brush attachment for small vacuum-steam nozzle
- 23) Funnel
- 24) Spare gaskets
- 25) Fabric brush with sprayer
- 26) Floor brush with sprayer
- 27) Floor brush attachment with sprayer
- 28) Antifoam

## PRECAUTIONS

### KEEP THESE INSTRUCTIONS

- Read these instructions for use carefully before using the appliance.
- Any use which does not comply with these instructions will invalidate the warranty.
- The wiring system to which the appliance is connected must always comply with the laws in force.
- Before connecting the appliance, make sure that the mains voltage is the same as the voltage indicated on the data label of the appliance and that the power outlet is connected to earth
- Always turn off the appliance at the on/off switch before unplugging it.
- If the appliance is left unused, always disconnect it from the mains. Never leave the appliance unattended with the cable plugged into the mains.
- Always make sure the appliance is unplugged before performing any maintenance work.
- Do not pull the power cable out of the socket, but grasp the plug itself to avoid damage to the socket.
- Do not allow the power cable to be twisted, crushed, stretched, or come into contact with sharp or hot surfaces.
- Do not use the appliance if the power cable or other important parts are damaged.
- Do not use electric extension leads that are not authorized by the manufacturer, as they may cause damage or fire.
- If it is necessary to replace the power supply cable, please refer to the nearest Polti authorised service centre, since the use of a special tool is necessary.
- Never touch the appliance with wet hands or feet with the cable plugged into the mains.
- Do not use the appliance when barefoot.
- Do not use the appliance near a bathtub, shower or container full of water
- Never immerse the appliance, the cable or the plugs in water or another liquid.
- Use of the appliance in places where there is a danger of explosions is prohibited.
- Do not use the product with toxic substances.
- Do not lay the hot appliance on surfaces sensitive to heat.
- Do not leave the appliance exposed to wind or rain.
- Do not place the appliance near a live element, an electric stove or any other source of heat.
- Do not expose the appliance to extreme temperatures
- Never let children or people who are not familiar with how the appliance works use it.
- Do not press the buttons hard or with a pointed object such as a pen.
- Always rest the appliance on a stable surface.
- In case of accidental fall of the appliance it is necessary to have it checked by an authorized Service Centre as the internal safety features may have been affected.
- In case of breakdown or malfunction switch off the appliance and never attempt to disassemble it, but refer to an authorized Service Centre.
- In order to avoid prejudicing the safety of the appliance, use only original spare parts and accessories approved by the manufacturer.
- Do not wind the power cable around the appliance, especially when the appliance is still hot.
- Do not use the appliance to suck up acids or solvents, as these might cause serious damage to the appliance and above all do not suck up explosive dust or liquids, as these could cause explosions on coming into contact with the inside components of the appliance.
- Do not suck up toxic substances.
- Do not suck up burning or incandescent objects such as embers, ash or other material in which combustion is taking place.
- Water tank can be filled with tap water.



*This unit conforms with EC-directives 89/336 as amended by 93/68 (EMC) and 73/23 as amended by 93/68 (low voltage).*

Polti S.p.A. reserves the right to change equipment or accessory specification without prior notice.

## MONDIAL VAP 7000 INOX

- Do not suck up materials such as cement, chalk etc. which solidify once they come in contact with water thus damaging the appliance
- During refilling with water, switch off and disconnect the appliance from the mains.
- It is necessary to keep the unit in horizontal position during operation.
- Do not direct the steam jet on electrical or electronic appliances.
- Make sure the appliance has cooled down before cleaning it.
- Before storing the appliance make sure that it has completely cooled down.
- This appliance is equipped with safety devices which are to be replaced only by a suitably qualified technician.
- Do not direct the steam jet at people, animals or debris.
- Never place your hands inside the jet of steam.



**ATTENTION:**  
**Danger of burns!**

- Do not put any detergent or chemical substance in the boiler.
- This appliance is not intended for use by persons (including children) with reduced physical, sensory or mental capabilities, or lack of experience and knowledge, unless they have been given supervision or instruction concerning use of the appliance by a person responsible for their safety.
- Children should be supervised to ensure that they do not play with the appliance.
- Never leave the appliance unattended when turned on.

### ATTENTION

Directive 2002/96/EC (Waste Electrical and Electronic Equipment - WEEE):  
information for users

This product complies with EU Directive 2002/96/EC.



The crossed-out wastebasket symbol on the appliance means that at the end of its useful lifespan, the product must be disposed of separately from ordinary household wastes.

The user is responsible for delivering the appliance to an appropriate collection facility at the end of its useful lifespan.

Appropriate separate collection to permit recycling, treatment and environmentally compatible disposal helps to prevent negative impact on the environment and human health and promotes recycling of the materials making up the product. For more information on available collection facilities, contact your local waste collection service.

### CORRECT USE OF THE PRODUCT

This appliance is intended for professional use as a steam generator and liquid/damp vacuum cleaner in accordance with the descriptions and instructions provided in this manual. Please read these instructions carefully and keep them for future reference.

**Polti declines liability for any damage or accident derived from any use of Mondial Vap which is not in conformity with the instructions contained in this booklet.**

### PREPARATION FOR USE

#### **FILLING THE WATER AND DETERGENT TANKS**

- Fill the water tank (I) with ordinary tap water using the filling can provided (R) (fig.1). Use water with a hardness of less than 5 °F. **If your water is particularly hard, use a mixture of 50% tap water and 50% demineralised water.**
- Use the funnel (23) to fill the detergent tank (J) with appropriately diluted detergent.

**CAUTION:** never fill the water tank with detergent solution or vice versa, and never switch the positions of the two tanks on the appliance. It is important to fill the water tank (I) with water only, NEVER with detergent. Putting detergent into the water tank could seriously damage the appliance.

- Close the tanks by screwing on the cap (S).

**Never remove the tank from the machine.**

If you use the same filling can to fill both the water and the detergent tank, be careful not to mix up the two liquids, and rinse the filling can (R) before filling it again.

## **CLEANING PRODUCTS:**

We recommend use of cleaning products from the Polti HP007 PROFESSIONAL line only, as they are specifically designed and tested for use with Mondial Vap steam appliances.

Refer to product labels for information on dilution percentages and how to use Polti HP007 PROFESSIONAL products.

## **CAUTION:**

- Never use foamy or acidic cleaning products, as they could damage the components inside the appliance.
- Never use cleaning products containing muriatic acid, ammonia or products classified as irritant, as use of irritating products with steam increases their volatility so that they can be hazardous to the health if inhaled.
- **Problems caused by use of cleaning products other than those recommended above will not be covered by the guarantee.**

## **PREPARATION OF THE DIRT CONTAINER**

- Release the two levers locking the dirt container (K) in place and slide the container (L) out of the appliance (fig.2).
- Open the dirt container lid using the handle (fig.3).
- Fill the container (L) with 1 litre of ordinary tap water.
- Add a dose (one cap) of antifoam (28) to the water in the container (L).
- Reposition everything inside the device following the previous procedure in reverse order, making sure that everything is correctly positioned in relation to the reference markings on the tank and on the device.

## **USE**

- Open the door on the unit socket (N); plug in the unit plug (6) all the way, without pressing the button, until you hear the mechanism click into place, then check that it is connected properly (fig. 4).
- To disconnect the unit plug (6) from the appliance, press button (7) and pull the

unit plug away from the appliance.

- Plug in the appliance into a suitable electrical outlet.

## **STEAM FUNCTION**

- Turn the main switch (A) to "I".
- Press the boiler switch (B). The steam ready indicator light (E) will start flashing and then stay on (after about 5-10 minutes), indicating that the appliance is ready to dispense steam.
- Press the steam/detergent button (3) on the handle to dispense steam.

**Note:** The handle (2) has a safety button (4) which prevents accidental dispensing of steam by children or people unfamiliar with operation of the appliance. If you need to leave the hose temporarily unattended while the appliance is on, lock the safety button (4). Put it back in its original position to start dispensing steam again.

The first time you use the appliance, a few drops of water may leak out because the inside of the hose is not yet perfectly thermally stable. It is advisable to direct the first jet of steam onto a rag, until the jet is uniform.

- To turn off the steam function, press the switch (B). The indicator light (E) will go out.

## **VACUUM FUNCTION**

- Turn the main switch (A) to "I".
- Hold button (5) on the handle (2) down for a few seconds, and the appliance will begin vacuuming.

**CAUTION: Use the vacuum function to pick up liquid/damp dirt only, not to pick up dry dirt.**

- To stop vacuuming, hold the button (5) on the handle (2) down for a few seconds.

## **DETERGENT FUNCTION**

- Turn the main switch (A) to "I".
- Press the detergent switch (C). The detergent indicator light (G) will come on.
- Press the steam/detergent button (3) on the handle to dispense detergent.

**Note:** The handle (2) has a safety button (4) which prevents accidental dispensing of steam

# MONDIAL VAP 7000 INOX

by children or people unfamiliar with operation of the appliance. If you need to leave the hose temporarily unattended while the appliance is on, lock the safety button (4). Put it back in its original position to start dispensing steam again.

- To turn off the detergent function, press the switch (C). The indicator light (G) will go out.

## COMBINED FUNCTIONS

You may use different functions in combination:

**STEAM – VACUUM**

**STEAM – DETERGENT**

**DETERGENT – VACUUM**

**STEAM – DETERGENT – VACUUM**

To combine functions, simply select the ones you wish to use in the way described above.

## CONTROLLING STEAM FLOW

This appliance allows you to optimise steam flow using the steam control knob (D). You can use this control to increase the steam flow by turning in anti-clockwise direction. Turning the control in a clockwise direction reduces the steam flow.

*Use strong steam:* to remove deposits, stains and grease and to sanitise;

*Use normal steam:* on carpets, rugs, glass and floors;

*Use gentle steam:* to spray plants and clean delicate fabrics, upholstery, sofas, etc.

## CONNECTING ACCESSORIES

All Mondial Vap accessories may be used together. Connect them to the steam handle as follows (fig.5):

- Set the accessory lock button (8) (present on all accessories) in the OPEN position (8a).
- Attach the desired accessory to the handle.
- Put the lock button (8) in the CLOSED position (8b).
- Check that the connection is tight.

## VACUUMING

When the water in the dirt container (L) is very dirty, replace it as described in the section on "Emptying and cleaning the dirt container". When dirt in the dirt container (L) reaches the maximum permitted level, vacuuming will be automatically shut down by the safety float (P) (you will hear the motor running faster).

**CAUTION:** turn off the appliance and do not start it up again until you have put water in the container as described in the section on "Emptying and cleaning the dirt container". If you attempt to turn on the appliance before this, you could damage the filter on the air outlet (Q).

To resume cleaning, proceed as described in the section on "Emptying and cleaning the dirt container", and then add water to the container.

## EMPTYING AND CLEANING THE DIRT CONTAINER

- Turn off the appliance with the main switch (A) and unplug it.
- Release the two levers locking the dirt container (K) in place and slide the container (L) out of the appliance (fig.2).
- Open the lid on the dirt container using the handle (fig.3).
- Clean the dirt container (L).
- If you want to continue working, fill the container with water.
- Put the container back inside the appliance, performing the procedure described above in reverse order.

**Note:** empty the dirt container (L) before putting away your Mondial Vap. One of the biggest advantages of the Mondial Vap is that it can be put away clean.

## PRESSURE GAUGE

Mondial Vap has a convenient, accurate pressure gauge (H) for displaying actual operating pressure.

## OUT OF WATER

When the water tank is out of water, the out of water light (F) will come on and an acoustic signal will sound. Fill as follows before continuing to work:

- Unscrew the tank cap (S).



## MONDIAL VAP 7000 INOX

Fill before continuing to work as described in the section on "Filling the water and detergent tanks".

### OUT OF DETERGENT

When the detergent tank is empty, the detergent indicator light (G) will flash and an acoustic signal will sound.

- Unscrew the tank cap (S).

Fill before continuing to work as described in the section on "Filling the water and detergent tanks".

### BOILER OUT OF WATER

The boiler may run out of water if the refilling system is not working properly. This type of fault is signalled by a flashing indicator light (F) and an acoustic signal.

If the problem continues to occur, contact the technical assistance service.

### CABLE WINDER

Wind up the cable on the pins (O) before putting your Mondial Vap away (fig.6).

### RECOMMENDATIONS FOR USE OF ACCESSORIES

Before steam-treating leather, special fabrics and wooden surfaces, refer to the manufacturer's care instructions and always test by applying steam to a hidden corner or sample of the material. Let the steam-treated part dry and then check it for colour changes or deformation.

**DO NOT USE STEAM ON DRAYLON, VELVET OR SIMILAR SENSITIVE SURFACES.**

Be very careful when cleaning wooden surfaces (furniture, doors, etc.) and brick floors, as excessively prolonged use of steam could damage the wax, polish or colour of the surfaces. Apply steam to surfaces of this kind only for brief intervals, or clean them with a cloth to which you have applied steam. On particularly delicate surfaces (such as synthetic materials, lacquered surfaces, etc.) use only the minimum steam setting. When cleaning glass in cold weather, preheat the glass by starting to spray from about 50 cm away. Spray plants from at least 50 cm away.

### MULTIPURPOSE BRUSH (10)

This brush is intended for use on large surfaces, tiled and stone floors, hardwood floors, carpets, etc..

- Brush attachment (11), for vacuuming only.
- Liquid vacuum attachment (12), for vacuuming up spills on smooth surfaces.
- Carpet attachment (13), for carpets and rugs.

The multipurpose brush may be connected to the hose with the extension tubes (9) or attached directly to the handle.

#### **Assembling the multipurpose brush:**

To apply different attachments to the multipurpose brush, shift the two slides (10a) on the back of the brush outwards and apply the attachment recommended for the type of surface you wish to clean. Push the two slides (10a) inwards to lock the attachment in place.

**IMPORTANT:** please read the section on "Recommendations for use of accessories".

### VACUUM-STEAM SQUEEGEE TOOL (19)

This accessory is recommended for use on glass surfaces, large mirrors and smooth surfaces of all kinds. The squeegee tool (19) may be connected to the hose with the extension tubes (9) or attached directly to the handle (2). Proceed as follows to use the squeegee tool correctly:

- Apply steam evenly over the surface to be cleaned to dissolve dirt.
- Press the rubber wiper onto the surface to be cleaned, working vertically, from the top down, with the vacuum function on.

**Caution:** When cleaning glass in cold weather, preheat the glass by starting to spray from about 50 cm away..

### 120° TOOL (15)

This accessory is recommended for cleaning hard-to-reach corners which are difficult to clean with other accessories, such as:

- pre-treating stains on carpets or rugs before using the brush on them;
- cleaning stainless steel, glass, mirrors,

- coated surfaces and enamel;
- cleaning hard-to-reach corners such as stairs, window frames, door jambs, aluminium sections;
- cleaning around the base of taps;
- cleaning shutters, radiators, car interiors;
- spraying houseplants from a distance;
- eliminating odours and creases from clothing.

The 120° tool may be applied directly to the handle (2) or connected to the hose with extension tubes (9). The 120° tool may be used in combination with the following accessories:

- coloured 120° brushes (16), recommended for removing encrustations from narrow surfaces such as gas rings, shutters, spaces between tiles, bathroom fixtures, etc.. They are colour-coded so that you can always use the same brush for the same surface.
- Steam nozzle (17), recommended for getting into hard-to-reach corners and cleaning radiators, door and window frames, bathroom fixtures and shutters. To connect the nozzle to the 120° tool simply screw it on just like the coloured brushes, which can in turn be screwed onto the nozzle. TAKE CARE WHEN APPLYING, THE METAL TIP OF THE NOZZLE REMAINS VERY HOT FOR SOME TIME AFTER USE.
- 120° tool nozzle (18), recommended for vacuuming up dirt that has been dislodged from narrow surfaces such as the gaps between tiles, door jambs, gaps in shutters, etc..

### ***SMALL VACUUM-STEAM NOZZLE (20)***

This accessory is recommended for use on a variety of mid-sized surfaces or for washing fabric surfaces such as sofas, mattresses, etc., using the following attachments supplied with it:

- squeegee attachment (21) for small mirrors and windows, glass and cement walls, etc..
- brush attachment (22) for carpets, stairs,

car interiors, textile surfaces in general; also useful for removing pet hair from these types of surfaces.

### ***FABRIC BRUSH WITH SPRAYER (25)***

This accessory is recommended for treating fabrics such as sofa and armchair upholstery with the combined action of water mist and vacuum power.

### ***FLOOR BRUSH WITH SPRAYER (26)***

**NOTE:** use this accessory with the detergent function active ONLY, not with steam. This brush is recommended for use on large surfaces such as tiled and stone floors, hardwood floors, carpets, etc., with the combined action of water mist with vacuum power.

You may separate the attachment (27) from the brush by sliding it off as shown in figure 7 to glide more easily over carpets.

## MONDIAL VAP 7000 INOX

### GENERAL MAINTENANCE

- Always make sure that the appliance is unplugged before performing any maintenance on it.
- Let bristles cool down in their natural position after using brushes to prevent deformation.
- Periodically inspect the gaskets on the unit plug **(6)**. Replace them with original spare parts when necessary. Also inspect the gaskets on the extension tubes **(9)** and handle **(2)** connections. Clean the outside of the appliance with a damp cloth, do not use solvents or detergents, which could damage the plastic surface.

### CLEANING THE AIR OUTLET FILTER (Q)

- Turn off the appliance with the main switch **(A)** and unplug it.
- Release the two levers locking the dirt container **(K)** in place and slide the container **(L)** out of the appliance (fig.2).
- Remove the filter on the air outlet **(Q)** from its housing and clean it with a brush with stiff bristles; if the filter is not clean enough, rinse it with water and let it dry. Replace the filter if it appears to be damaged, to prevent it from compromising the appliance's performance.
- If you wish to continue working, reassemble the filter by performing the procedure described above in reverse. The filter will last about 100 hours of operation.